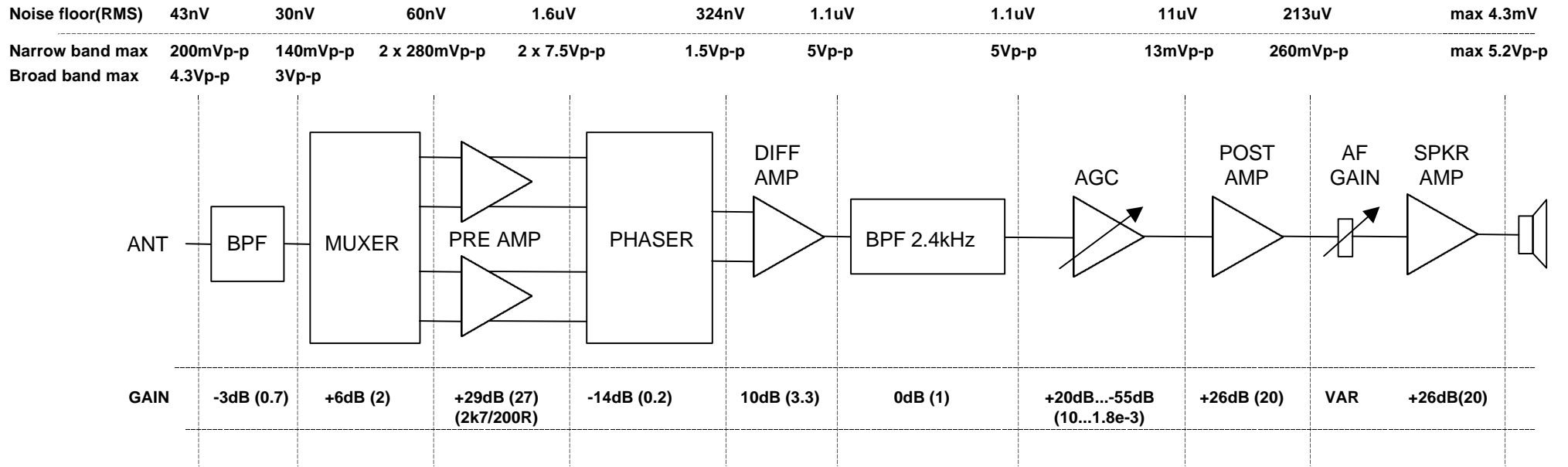


DIRECT CONVERSION RX GAIN DISTRIBUTION OH7SV 2004-05-13



Calculated dynamic range 124 dB!