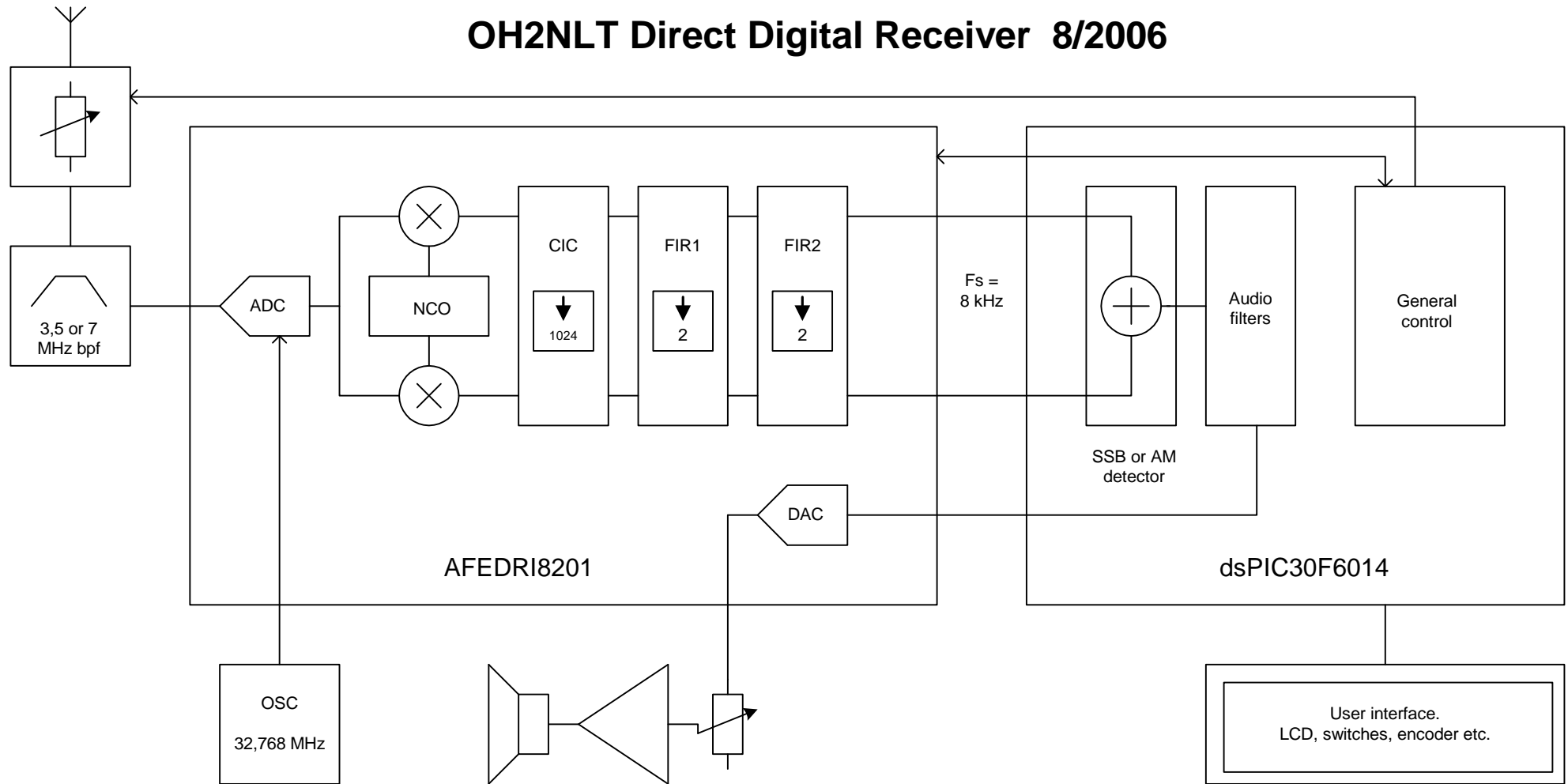


OH2NLT Direct Digital Receiver 8/2006



Juha Niinikoski 24.08.2006